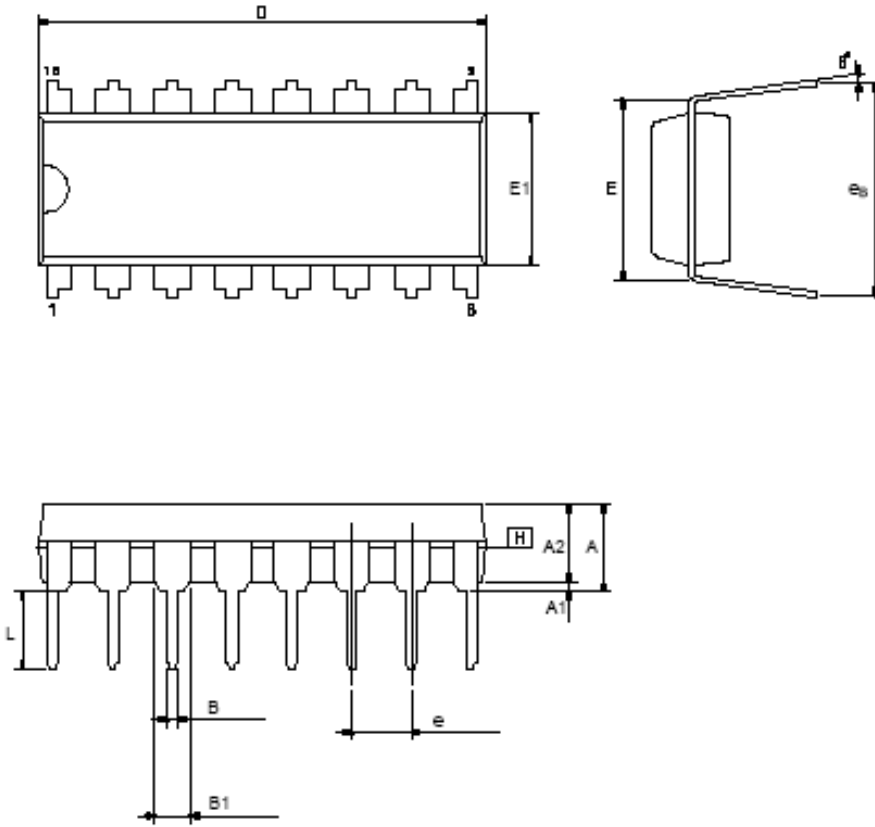




16L PDIP(300mil) Package Outline :



Symbol	Dimension in mm			Dimension in inch		
	Min	Nom	Max	Min	Nom	Max
A	—	—	5.334	—	—	0.210
A1	0.381	—	—	0.015	—	—
A2	3.05	—	3.45	0.120	—	0.136
B	0.38	0.4572	0.55	0.015	0.018	0.022
B1	—	1.524	—	—	0.06	—
D	18.669	—	19.685	0.735	—	0.775
E	—	7.62	—	—	0.30	—
E1	6.15	—	6.55	0.242	—	0.258
e	—	2.54	—	—	0.100	—
E _B	7.87	—	10.9	0.31	—	0.429
L	2.921	—	3.81	0.115	—	0.150
θ	0°	—	15°	0°	—	15°

Note :

1. Dimension D & E1 do not include mold protrusion.
2. Dimension B1 does not include dambar protrusion.